

# Setting up an Input/Output (I/O) Unit on the XFP Panel

To set up an I/O unit on the XFP panel the following items are required:

- PC/Laptop loaded with the XFP Programming Tools – there is a free download of the tools available on the C-TEC website via the following link: <http://www.c-tec.com/info/software-downloads.html>
- Part No. SAF7070000 (RS232 serial lead, supplied from C-TEC)
- Part No. BF232 (USB-to-RS232 serial converter, supplied from C-TEC) – this is required if your laptop doesn't have a serial port but has a USB connector

## Step 1 Setup Comms Connections between your Laptop and the XFP Panel

For connection details, refer to Application Note 0001.0 (Serial Comm Port Setup for C-TEC Control Panels) - this is available on the C-TEC website via the following link: <http://www.c-tec.com/info/instruction-manuals.html>

Fig 1 below, shows the comms setup for connecting the SAF7070000/BF232 programming leads and setting up the panel ready to transfer data.

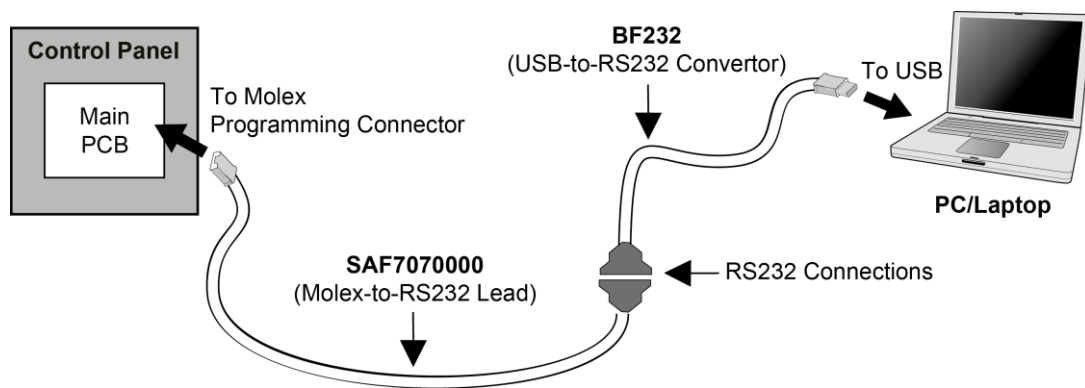


Fig. 1 – Comms Set Up

## Step 2 Perform a Loop Learn and Connect to PC

It is assumed the I/O unit has been correctly fitted to an XFP loop (either Loop 1 or Loop 2, dependent on XFP model) and has been assigned an address using the **Loop Learn** or **Auto Address** menu options (in Access Level 3, Commissioning Functions).

At the XFP panel, enter Access Level 3 and select **Connect to PC** menu option. The XFP screen will display the following:



YOU ARE NOW READY TO TRANSFER DATA BETWEEN THE PANEL AND PC.

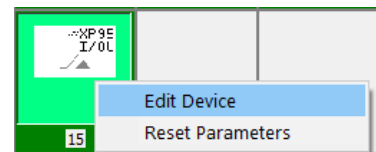
## Step 3 Load Data from the Panel

At your laptop, open the XFP Programming Tools and load the 'loop learn' data from the XFP panel to your laptop, by clicking on the toolbar icon (shown right).



## Step 4 Configure the I/O Unit

Using the XFP Programming Tools, select the loop that the I/O unit is fitted, i.e. **Loop 1** or **Loop 2** tab, then right-click on the address of the I/O unit, e.g. address 15 and select Edit Device (shown right).



If your I/O unit has both inputs and outputs, set Sub Address 0 as an Input and Sub Address 1 as an Output, as shown below on the I/O Config page (see Fig. 2). If your I/O unit only has outputs, then set Sub Address 0 as an Output and Sub Address 1 as Not Used.

**Note:** I/O inputs relate to Zones and I/O outputs relate to Sets (Zone 1 and Set 1 are shown below). Once the I/O unit has been configured click on



Sub Address	Input/Output	Channel	Zone/Set	Description
Sub Address 0	Input	Channel 1	Zone 1- Zone 1	No name allocated
Sub Address 1	Output	Channel 1	Set 1	No name allocated
Sub Address 2	Not Used	Channel 1	No Zone allocated	No name allocated
Sub Address 3	Not Used	Channel 1	No Zone allocated	No name allocated

Buttons: < Prev, Next >, Accept, Cancel

Fig. 2 – I/O Config Page

Next select the **Set Config** tab. In the example below (see Fig. 3 – Set Config Page), you will see **Output Set Triggered** (1-16) across the top and the **Zones** (1-16 or 1-32, dependent on XFP model) running down the left side.

To get your I/O unit working you must first select the red continuous tick and allocate it to the Set that you previously configured in Step 4.



In the example below you can see in the Set 1 column there are 5 red ticks that represent a 5 zone system. This means when any Zones from 1-5 activate then the outputs assigned to Set 1 will also activate.

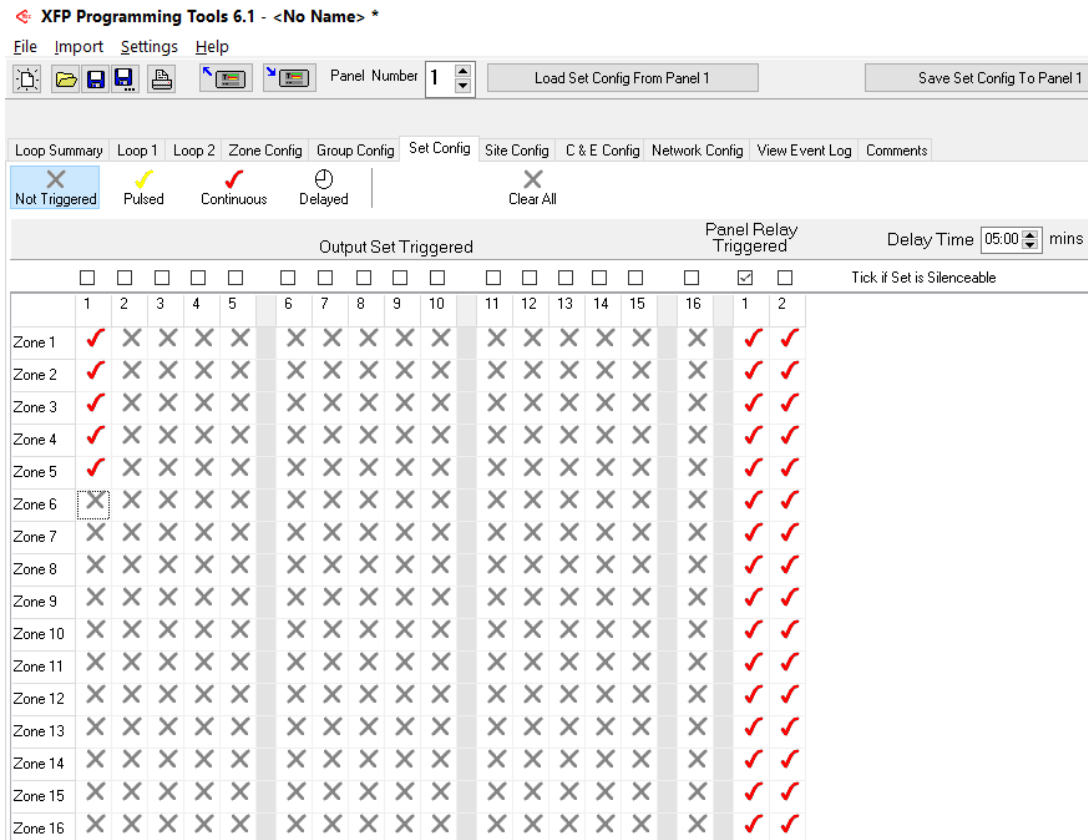
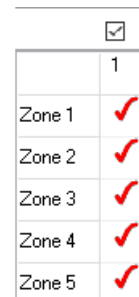


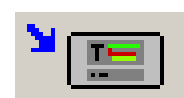
Fig. 3 – Set Config Page

If you want the outputs assigned to Set 1 to reset on silence, then add a small tick above the Set 1 column (shown right).



**Step 5 Save Data to the Panel**

To complete your programming, click on the toolbar icon (shown right). This will transfer all config data from your laptop to the XFP panel and the I/O unit will be set up.



**Note:** The panel’s NVM link (jumper) must be fitted on the panel’s main PCB to allow data to be uploaded.