

# How to put a CFP Panel into Walk Test Mode

To put a CFP fire panel into walk test mode:

1. First, you must remove the panel lid to access the PCB (see Fig. 1).

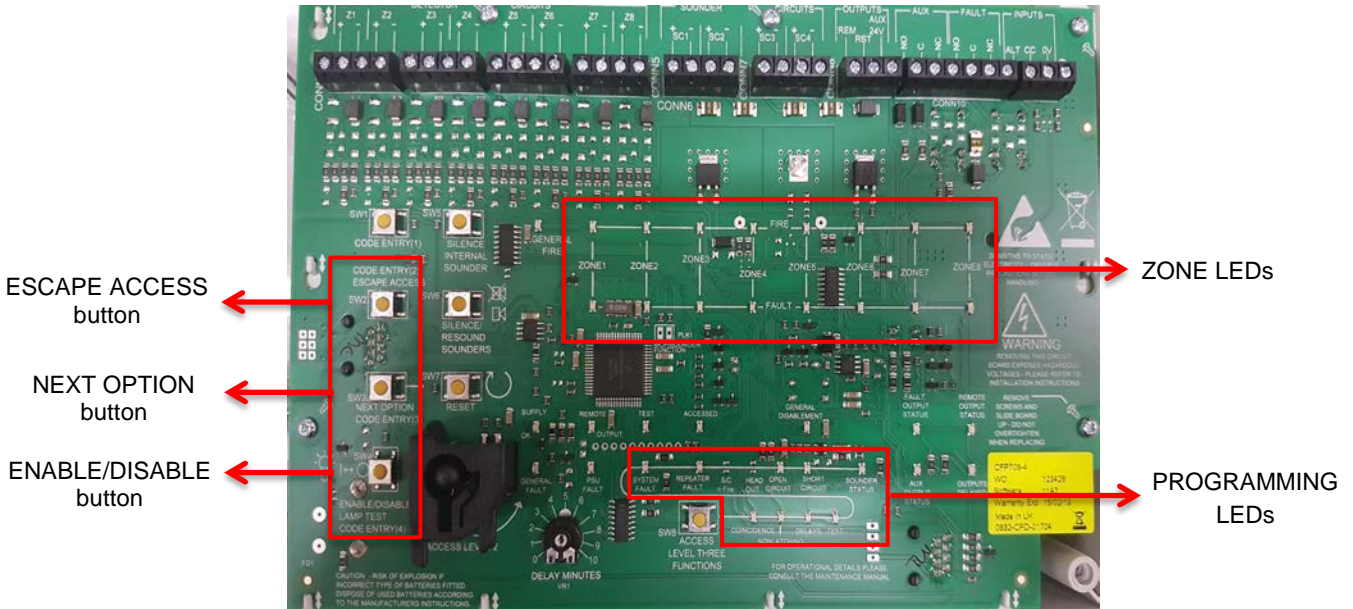


Fig. 1

2. At the bottom of the PCB, press the ACCESS LEVEL THREE FUNCTIONS button until the programming TEST LED flashes (see Fig. 2).

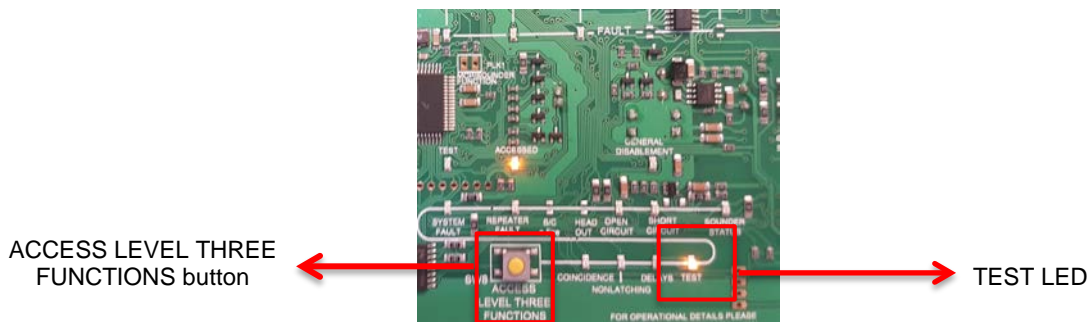
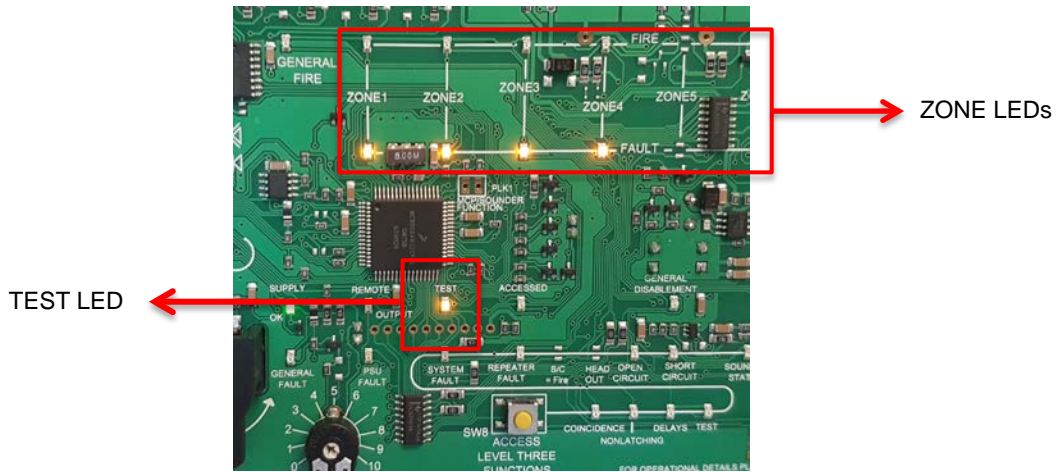


Fig. 2

3. Press the NEXT OPTION button and ZONE1 LED will illuminate but will flash out of sync with the programming TEST LED. To put zone 1 into a test condition press the ENABLE/DISABLE button and you will now see both ZONE1 LED and programming TEST LED flash in sync.
4. If you want to put multiple zones into test repeat step 3.

5. To finalise your programming you must press ESCAPE ACCESS button and now you will see for any zones in test the ZONE LEDs flashing in sync with the general TEST LED (see Fig. 3).



**Fig. 3**

6. To take zones out of the test condition repeat steps 2 and 3, making sure this time the ZONE LED and the programming TEST LED flash out of sync.
7. Finally, press the ESCAPE ACCESS button and the panel returns to normal condition.